

BULK SOLIDS HANDLING EQUIPMENT

SILO VENTING FILTERS

仓顶排气除尘器

FNC 仓顶排气除尘器 FNC SILO VENTING FILTERS

FNC 是一种完全由不锈钢制成的圆形排气过滤器（密封框由经过表面处理的碳钢制成）。该过滤器带有一个法兰式壳体，可以利用24个螺栓将过滤器固定在筒仓中

R03 is a cylindrically shaped dust collector for venting of pneumatically filled silos. The stainless steel body contains vertically mounted, filter elements. The air jet cleaning system is integrated in the hinged weather protection cover.



FNC

Feature - 特性

- 气动清洁
- 直径800毫米
- 不锈钢表壳AISI430
- 过滤滤芯（14件）
- 吹扫系统中有2个电磁阀
- 过滤面积为22平方米
- 温度-20℃.....+80℃（最高可达+100℃）
- 外壳内的压力-0.05 bar... +0.075 bar
- 所需气压6 bar
- 耗气量4.5 Nm³/h
- 水泥粉尘生产率1600 m³/h
- 维护高度1100毫米
- 最大高度，打开盖子1850毫米
- 过滤效率高（99.9%）
- 带电压检测功能的电子控制单元IP 66（24-260 VDC / VAC）
- 能够调整暂停/清除周期的持续时间
- 空气净化系统内置于盖子内，无需维护。
- 盖锁
- 需要安装环
- 为保护过滤器，必须安装安全阀

Function - 功能

- Pneumatic cleaning
- Diameter 800 mm
- Stainless steel case AISI430
- Filtering elements (14 pieces)
- 2 solenoid valves in the purge system
- The area of the filtering surface of 22 m²
- Temperature -20 °C ... + 80 °C (shortly up to + 100 °C)
- Pressure inside the housing -0.05 bar ... + 0.075 bar
- Required air pressure 6 bar
- Air consumption 4.5 Nm³ / h
- Productivity on cement dust 1600 m³ / h
- Maintenance height 1100 mm
- Maximum height with open lid 1850 mm
- High filtration efficiency (99.9%)
- Electronic control unit IP 66 with voltage detection function (24-260 VDC / VAC)
- The ability to adjust the duration of pause / purge cycles
- The air cleaning system is built into the cover and does not require maintenance.
- Cover with lock
- Mounting ring
- To protect the filter, you must install a safety valve



Code 代号

FN	C	3	J	22	V	Body material	A
TYPE 型号	Filtering elements 滤芯型式	Filter diameter 除尘器尺寸	Cleaning system 清洁系统	Filter surface 过滤面积	Venturi insets 文丘里插入	阀体材质	Fan motor power 风机电压
FN	C=Cartridges 圆型滤筒 W=Square cartridge 长方型滤筒	1=400mm 2=600mm 3=800mm 4=1000mm	J= Compressed air 压缩空气	01-48m ²	+ = Without V = With Venturi 文丘里	+ =430St.st 2=304St.st 4=316St.st	+ =Without fan A= 50Hz B= 60Hz



Specification data

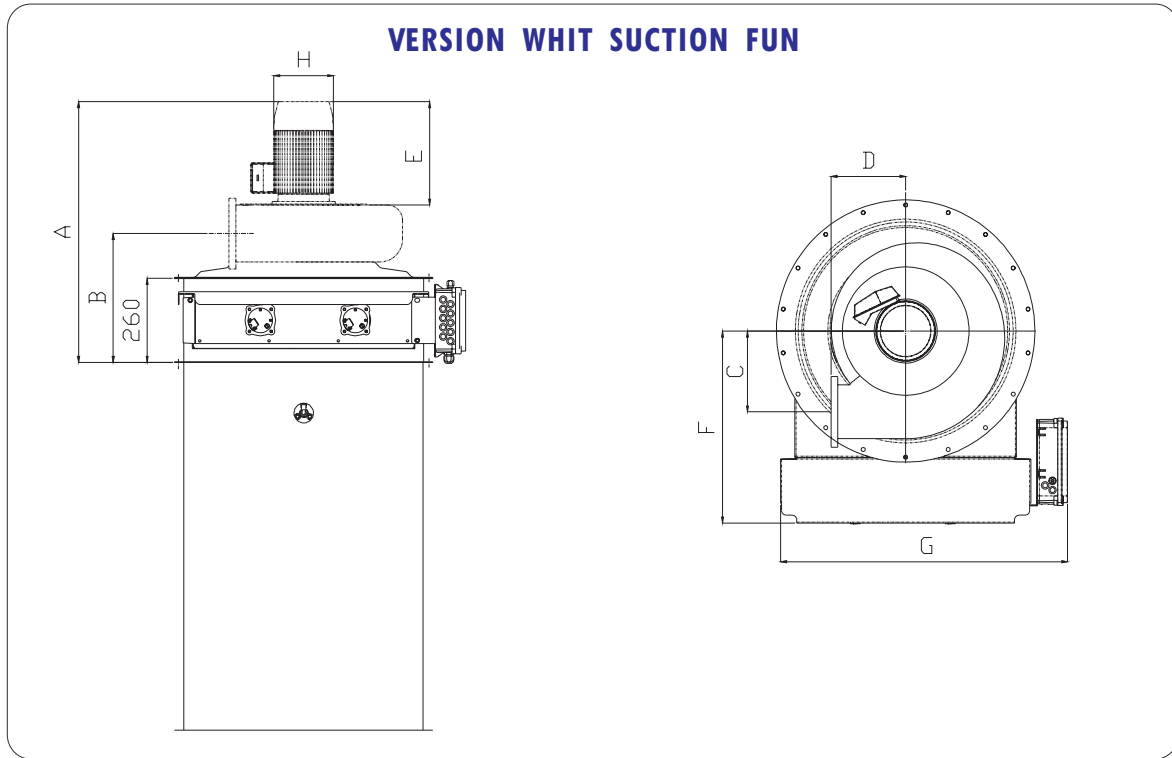
型号 CODE	仓筒直径 BODY Ø mm [in]	过滤面积 Filter surface m ² [sq ft]	耗气量 Air consumption Nm ³ /h	关闭时高度 Max. height when closed mm [in]	开启时高度 Max. height when open mm [in]	重量 Weight kg [lb]
FNC3	800 [31.5]	22 [237]	4.5	1,100 [43.3]	1,850 [72.8]	79 [174]

Dimensions in mm

BULK SOLIDS HANDLING EQUIPMENT

DESCRIPTION AND TECHNICAL CHARACTERISTICS 说明与技术规格

外观尺寸 / Overall Dimensions



Φ	FAN 风扇		A	B	C	D	E	F	G	H
	TYPE-类型	power-功率								
600	A	0.75	640	348	201	197	240	478	726	160
	A	1.1	640	348	201	197	240			160
	B	1.1	652	354	238	280	240			160
	B	1.5	697	379	238	280	260			180
	C	2.2	765	393	319	285	280			180
	C	3	805	393	319	285	320			200
800	A	0.75	645	353	201	197	240	573	826	160
	A	1.1	645	353	201	197	240			160
	B	1.1	657	359	238	280	240			160
	B	1.5	677	359	238	280	260			180
	C	2.2	765	393	319	285	280			180
	C	3	805	393	319	285	320			200
	D	4	845	423	357	320	320			210
	D	5.5	910	423	357	385	385			250
1000	A	0.75	670	373	201	197	240	698	1061	160
	A	1.1	670	373	201	197	240			160
	B	1.1	702	379	238	280	240			160
	B	1.5	722	379	238	280	260			180
	C	2.2	810	413	319	285	280			180
	C	3	850	413	319	285	320			200
	D	4	870	443	357	320	320			210
	D	5.5	935	443	357	385	385			250

Dimensions in mm