

BULK SOLIDS HANDLING EQUIPMENT

DESCRIPTION AND TECHNICAL CHARACTERISTICS

说明与技术规格

R03 过滤器滤芯 R03 FILTER ELEMENTS



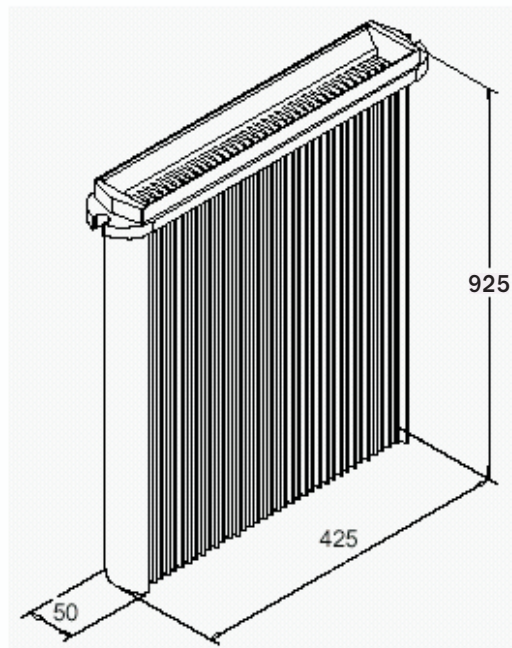
KFEW

Code 代号

KFEW	3	001	PP	VE
Type 型号	Specification 规格	Qty 滤芯数量	Material 材料	
KFEW	3 H=900mm	001=1PCS 007=7PCS	PP:Polypropylene聚丙烯	

FILTER ELEMENTS

过滤器滤芯



The R03 Venting Filter is provided with seven filter elements.

These elements are parallelepiped shaped and the dimensions are as shown in the diagram above; the filtering medium is a non-woven pleated spunbonded fleece.

The total filtering surface is 24.5m.

R03 排气过滤器共有七个过滤器滤芯。

这些滤芯排列成平行六边形，尺寸如上图所示。过滤介质是一种无纺折叠式纺织粘绒头织物。

总过滤面积为 24.5 平方米。